

CorALIGHT CLM Series CW OEM Fiber Laser Modules

PRODUCT OVERVIEW

CorALIGHT CLM Series of OEM fiber laser modules are specifically designed for industrial materials processing applications. CLM modules are made from CorActive truly photodarkening-free optical fiber and are built to meet the highest standards of reliability and performance. The CLM Series modules include a sealed optical engine with built-in control and monitoring electronics ready for integration into our customer's equipment.

"CorActive's OEM fiber laser modules meet the needs of laser system manufacturers looking for a truly cost-effective and customizable fiber laser solution."

CorActive's OEM fiber laser modules meet the needs of laser system manufacturers looking for a truly cost-effective and customizable fiber laser solution. CorALIGHT CW OEM laser modules allow our customers to leverage CorActive know-how and expertise in specialty fiber and fiber laser design.



CorALIGHT CLM Series

ADVANTAGES

- Truly photodarkening-free optical fiber
- High Efficiency
- High-Reliability sealed optical engine
- Simple, rugged and cost-optimized optical architecture
- Basic control&monitoring electronics
- Optical cable delivery with industry-standard connectors
- Cooling hardware
- User Friendly PC Labview Graphical Interface
- Easy integration into OEM systems

APPLICATIONS

- Micro-machining
- Rapid Prototyping
- Fine Cutting
- Precision Welding
- Medical Device Manufacturing



SPECIFICATIONS

| Optical | Units | CLM-100 | CLM-200 |
|--------------------------------|-------|-----------------------|---------|
| Mode of Operation | | CW | |
| Polarization | | Random | |
| Lasing Wavelength | nm | 1080±5 | |
| Pump Wavelength | nm | 965±5 | |
| Nominal Output Power | W | 100 | 200 |
| Output Power Loss | % | < 1 (over 1000 hours) | |
| Laser Slope Efficiency @ 965nm | % | > 60 | |
| Modulation Frequency | kHz | 10 | |

Output Beam Characteristics

| | | | |
|--------------------------------|---------|----------|--|
| Optical Head | | QCS Type | |
| Beam Quality (M ²) | | < 1.1 | |
| Beam Diameter | mm | < 5.5 | |
| Beam Parameter Product | mm*mrad | < 5.5 | |
| Cable Length | m | > 5 | |

Mechanical

| | | | |
|------------------------------|----|-------------|--|
| Cooling | | Air | |
| Approx. Enclosure Dimensions | mm | 405x460x215 | |
| Weight | kg | 37 | |

Electrical

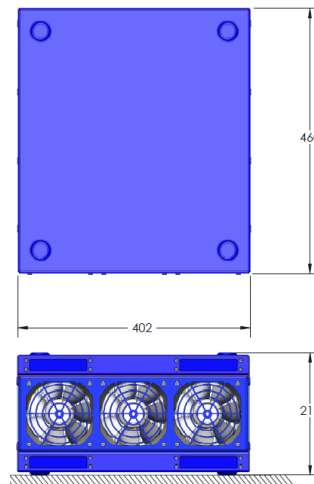
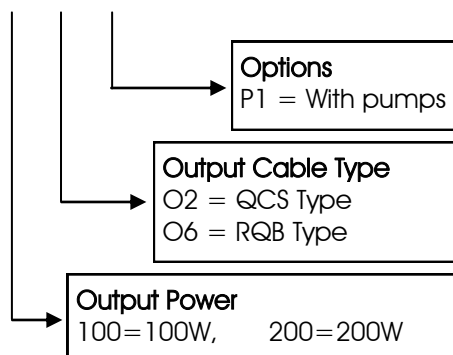
| | | | |
|------------------------|-----|-----------------|--|
| Input/Output Interface | | DB-25 Connector | |
| RS-232 Interface | | DB-9 Connector | |
| Power Supply | VDC | 24VDC/48VDC | |

Environmental

| | | | |
|-----------------------|----|---------------------------|--|
| Operating Temperature | °C | 5 - 40 | |
| Operating Humidity | % | 10-80 RH (non condensing) | |

CONFIGURATIONS

CLM - □ - □ - □



CorActive's CorALIGHT CW OEM fiber laser modules are specifically designed for industrial materials processing applications.

CorALIGHT modules feature a sealed optical engine with built-in control and monitoring electronics ready for integration into our customer's equipment.

CorActive
Specialty Optical Fiber Manufacturer

CorActive High-Tech, Inc.
2700 Jean-Perrin, Suite 121
Quebec City, QC
Canada G2C 1S9
1.866.845.2466
sales@coractive.com
www.coractive.com